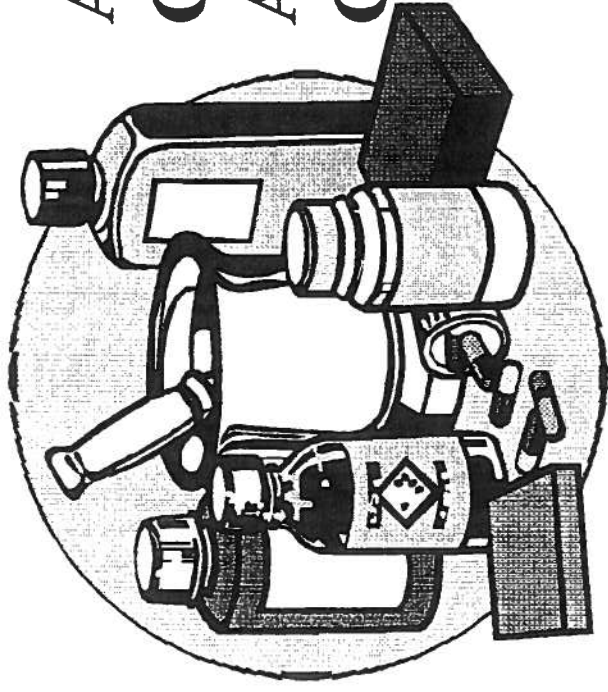


CONSIDER THESE DRUG FACTS



**Adverse Drug Reactions (ADEs)
Cost In Excess Of \$136 Billion
A Year; This Is More Than
Cardiovascular Disease**

*Arch Intern Med, 1995
155: 1949-1956*

**ADEs May Account For 140,000 Deaths A Year
*JAMA, Jan 22-29, 1997***

**30% Of Hospitalized Patients Experience ADEs
NEJM, 1974
291: 824-828**